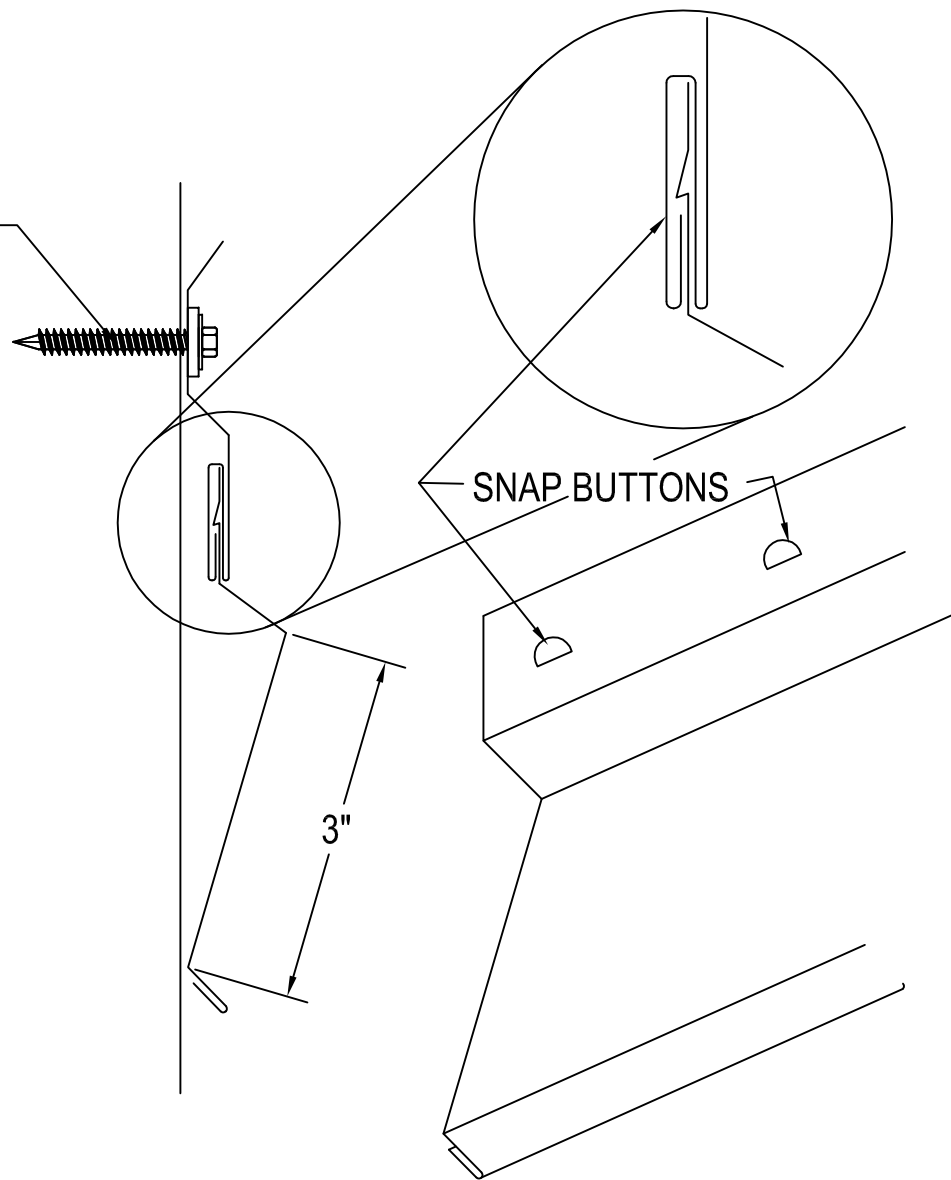


APPROVED FASTENER



METAL TYPE	
.032 ALUM. KYNAR 500	
.040 ALUM. KYNAR 500	
.032 ALUM. B/E	
.040 ALUM. B/E	
24GA. KYNAR 500	
22GA. KYNAR 500	
16OZ COPPER	
20OZ COPPER	
26GA STAINLESS	
OTHER	
COLOR	

QUANTITIES:
TOTAL LFT (<i>10' SECTIONS</i>)
UNDER PLATES
MITER

TWO PIECE SURFACE MOUNTED

TSM PROGRAM (OFFICE USE ONLY):

CUSTOMER	
JOB NAME	
JOB ADDRESS	
CONTACT #	
APPROVAL	
NOTE: CONTRACTOR OR INSTALLER IS RESPONSIBLE FOR FIELD VERIFICATION & QUANTITIES BEFORE FABRICATION.	

TSM
TRI-STATE METALS
LLC
 41 N. LAWN AVE
 ELMSFORD, NY 10523
 914-347-8157