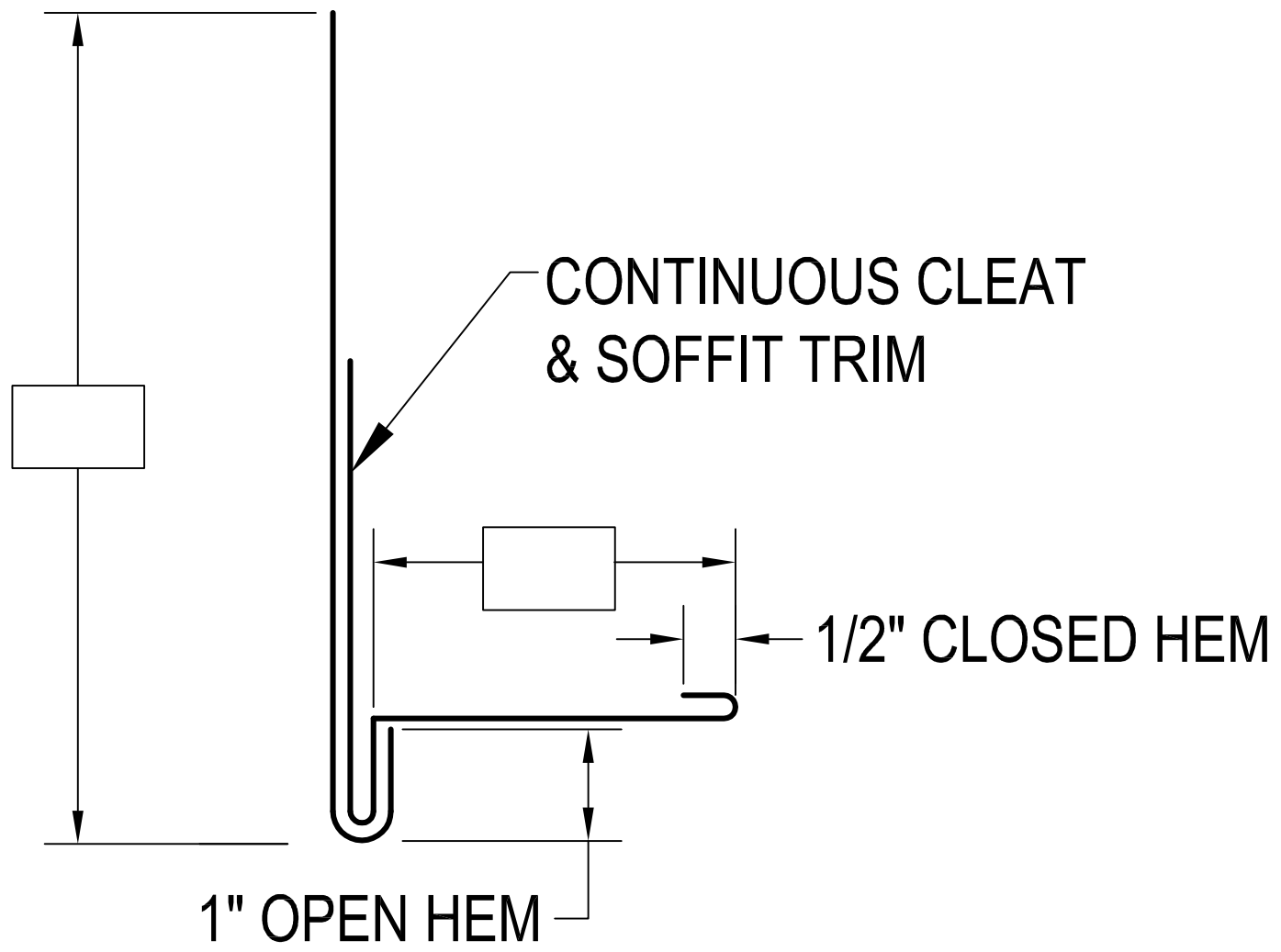


NOTE: 10' SECTIONS ONLY



METAL TYPE	
.032 ALUM. KYNAR 500	
.040 ALUM. KYNAR 500	
.050 ALUM. KYNAR 500	
.063 ALUM. KYNAR 500	
.032 ALUM. B/E	
.040 ALUM. B/E	
24GA. KYNAR 500	
16OZ COPPER	
20OZ COPPER	
OTHER	
COLOR	

QUANTITIES:
TOTAL LFT (10' SECTIONS)
UNDER PLATES
MITER

LOWER FASCIA 3

TSM PROGRAM (OFFICE USE ONLY):

CUSTOMER	_____
JOB NAME	_____
JOB ADDRESS	_____
CONTACT #	_____
APPROVAL	_____
NOTE: CONTRACTOR OR INSTALLER IS RESPONSIBLE FOR FIELD VERIFICATION & QUANTITIES BEFORE FABRICATION.	

TSM
TRI-STATE METALS
LLC
 41 N. LAWN AVE
 ELMSFORD, NY 10523
 914-347-8157