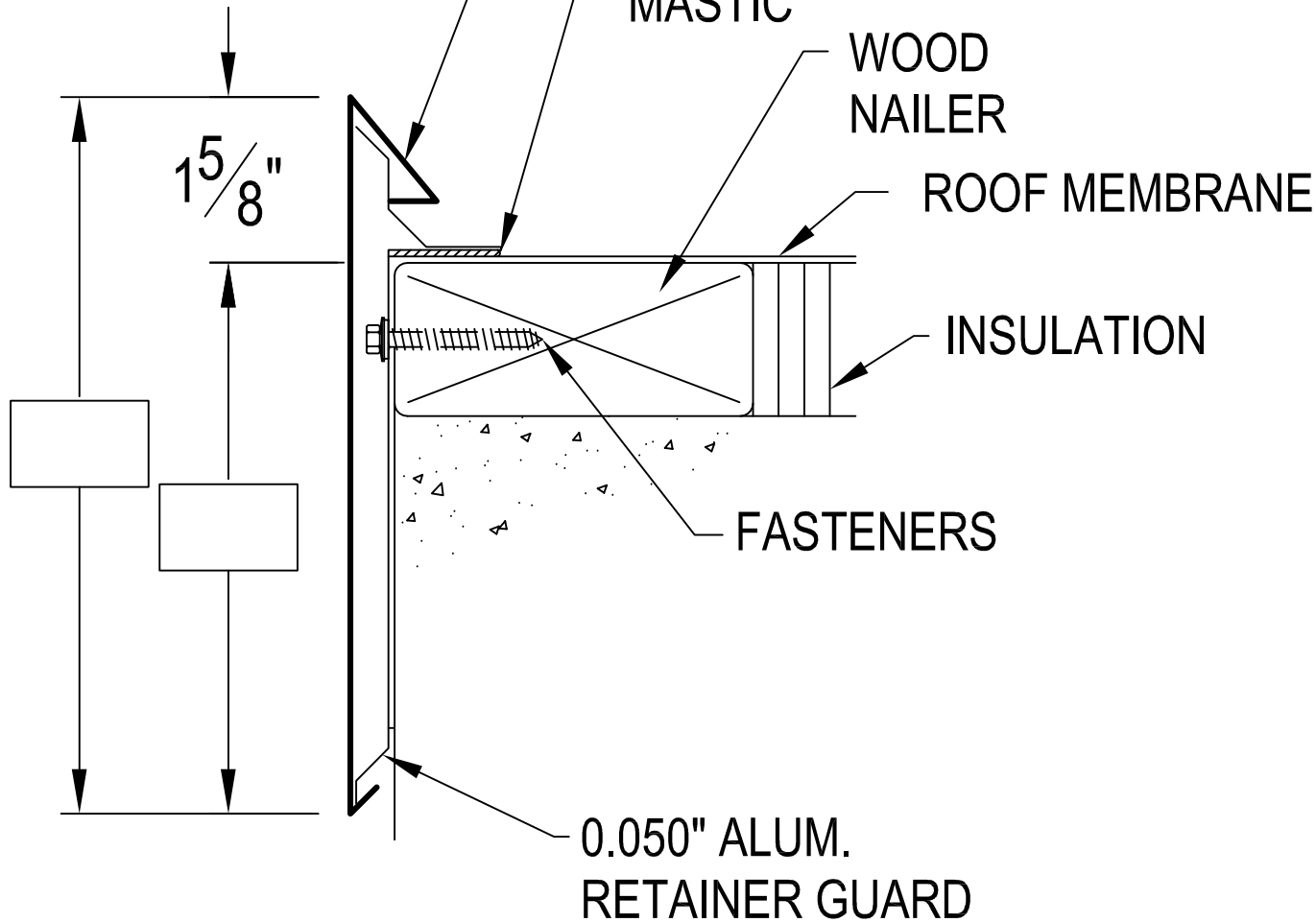


FASCIA COVER  
(10'-0" LENGTHS)



METAL TYPE	
.040 ALUM. KYNAR 500	
.050 ALUM. KYNAR 500	
.032 ALUM. B/E	
.040 ALUM. B/E	
24GA. KYNAR 500	
22GA. KYNAR 500	
24GA STAINLESS	
OTHER	
COLOR	

QUANTITIES:
TOTAL LFT (10' SECTIONS)
UNDER PLATES
MITER

**TSM SNAP-ON FASCIA SYSTEMS**

TSM PROGRAM (OFFICE USE ONLY):


CUSTOMER	
JOB NAME	
JOB ADDRESS	
CONTACT #	
APPROVAL	
NOTE: CONTRACTOR OR INSTALLER IS RESPONSIBLE FOR FIELD VERIFICATION & QUANTITIES BEFORE FABRICATION.	

**TSM**  
**TRI-STATE METALS**  
 - llc -  
 41 N. LAWN AVE  
 ELMSFORD, NY 10523  
 914-347-8157