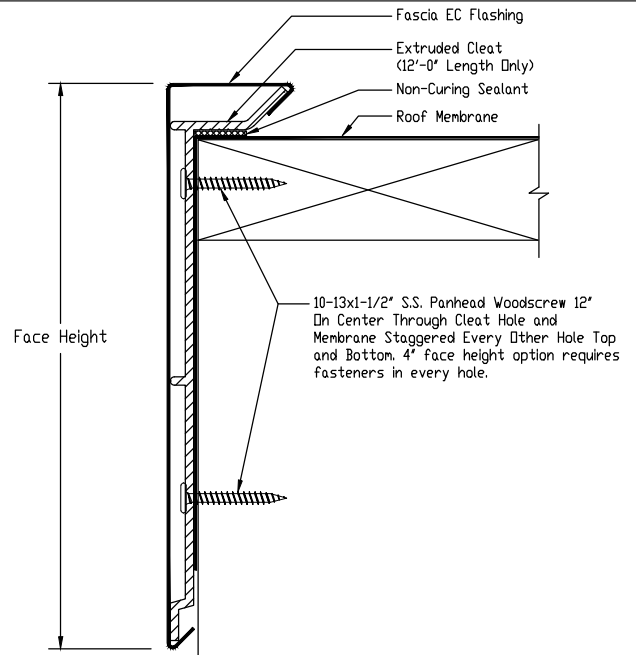




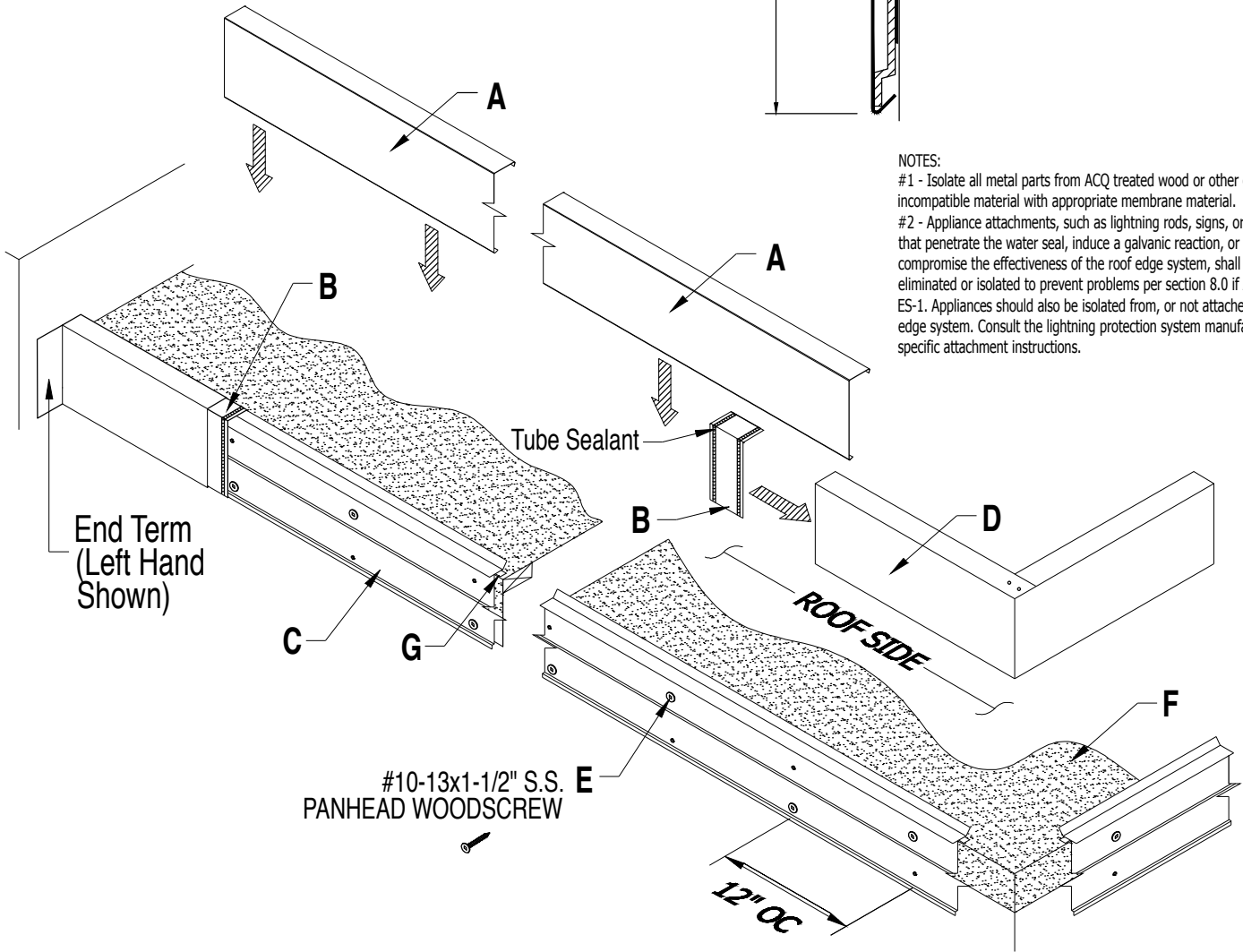
Our Shop is Your Shop!

Installation Guide for Fascia EC



NOTES:

- #1 - Isolate all metal parts from ACQ treated wood or other galvanically incompatible material with appropriate membrane material.
- #2 - Appliance attachments, such as lightning rods, signs, or antennae that penetrate the water seal, induce a galvanic reaction, or otherwise compromise the effectiveness of the roof edge system, shall be eliminated or isolated to prevent problems per section 8.0 if ANSI/SPRI ES-1. Appliances should also be isolated from, or not attached to, the roof edge system. Consult the lightning protection system manufacturer for specific attachment instructions.



A. Fascia EC Flashing
10'-0" Std. Lengths

B. Fascia EC Splice Plate
6" Lengths

C. Extruded Cleat
12'-0" Lengths

D. Fascia EC Miter
(Outside Corner Shown)

E. #10-13x1-1/2" S.S. Panhead Woodscrew
(Staggered Every Other Hole, Top & Bottom)
(Included & Required)

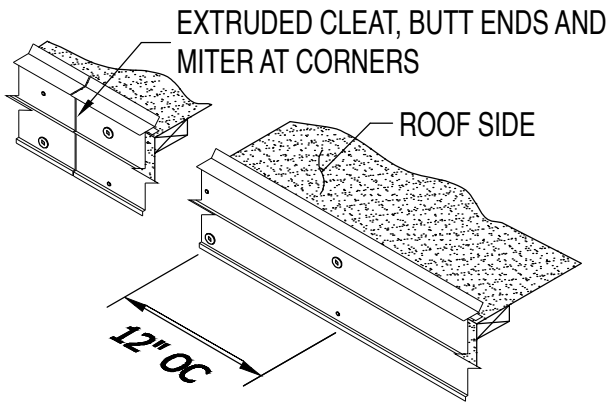
F. Approved Roofing Membrane
(By Installer)

G. Non-Curing Sealant
(By Installer)

Tri-State Metals LLC.
41 North Lawn Ave / Elmsford, NY 10523
Ph. 914-347-8157 Fax 914-347-8191
web: www.tsmny.com
email: sales@tsmny.com

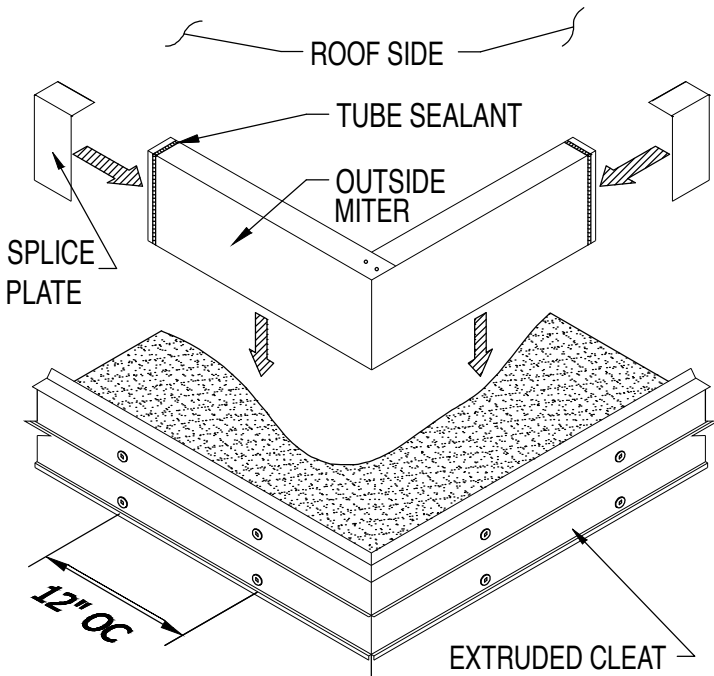


Our Shop is Your Shop!



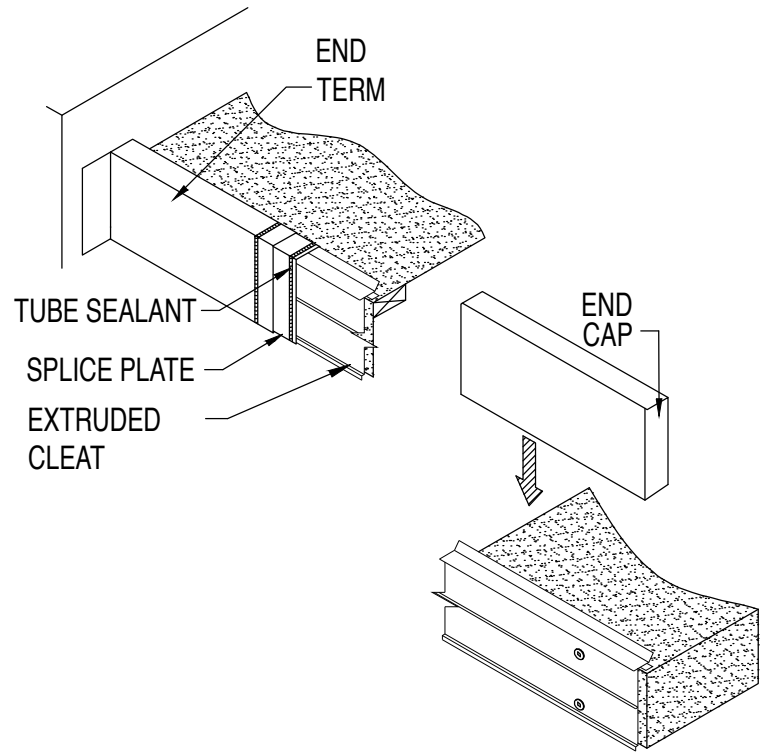
STEP 1 : Installing Extruded Cleat

Install Non-Curing sealant and place the face of the Cleat squarely on the edge of the roof membrane over the wood nailing plate. Press securely in position and screw through the pre-punched face holes. Attach with #10-13x1-1/2" S.S. Panhead Woodscrews provided, staggered every other hole, top and bottom. For Miter application, miter cut into corner as required to maintain a continuous Cleat line. Then fasten at every hole in each direction from the corner or closer at special conditions. Butt Cleat ends and apply Tube Sealant over butted Cleat ends.



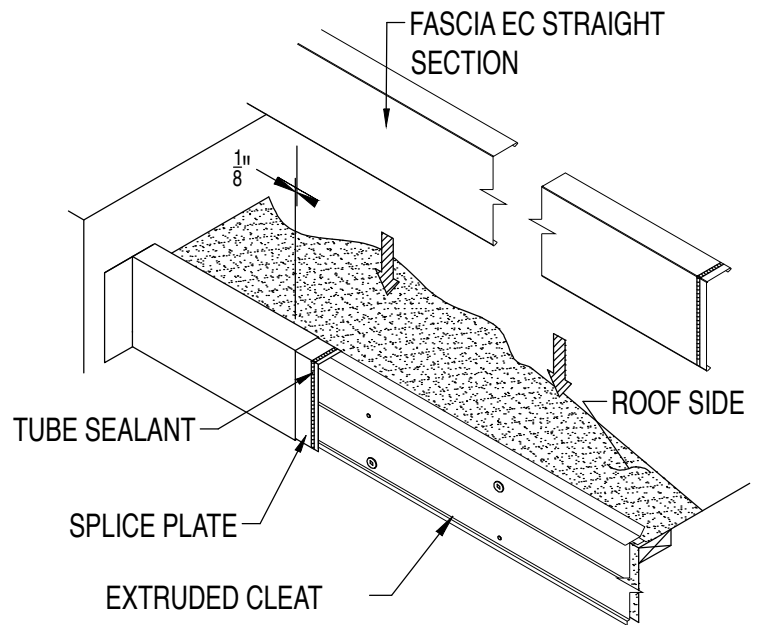
STEP 2 : Installing Fascia EC Miters

Locate the Miters and Splice Plates for the appropriate corners. Apply a bead of Tube Sealant inside Miter ends and place a Splice Plate under each end of the Miter sections. Install the Fascia EC Miter by hooking the Fascia EC Miter onto the roof side kick up of the Cleat, and push down onto the lower kick out of the Cleat.



STEP 3 : Installing Fascia EC End Caps and End Terms

Apply a bead of Tube Sealant inside End Cap or End Term and place a Splice Plate under each end of the End Cap or End Term. Install the Fascia EC End Caps and End Terms by hooking the drip of the Fascia EC End Cap or Term onto the roof side kick up of the Cleat and push down onto the lower kick out of the Cleat.



STEP 4: Installing Fascia EC Straight Lengths

Apply a bead of Tube Sealant onto the Splice Plate of the Miter, End Term, or End Cap. Install the Fascia EC Flashing by hooking the flashing onto the roof side kick up of the Cleat and push down onto the lower kick out of the Cleat. **Allow 1/8" Gap between Fascia EC lengths for thermal expansion.** Consider lengths of all straight pieces prior to cutting to avoid creating relatively short sections adjacent to one another. Note: There should be a Splice Plate at every joint.