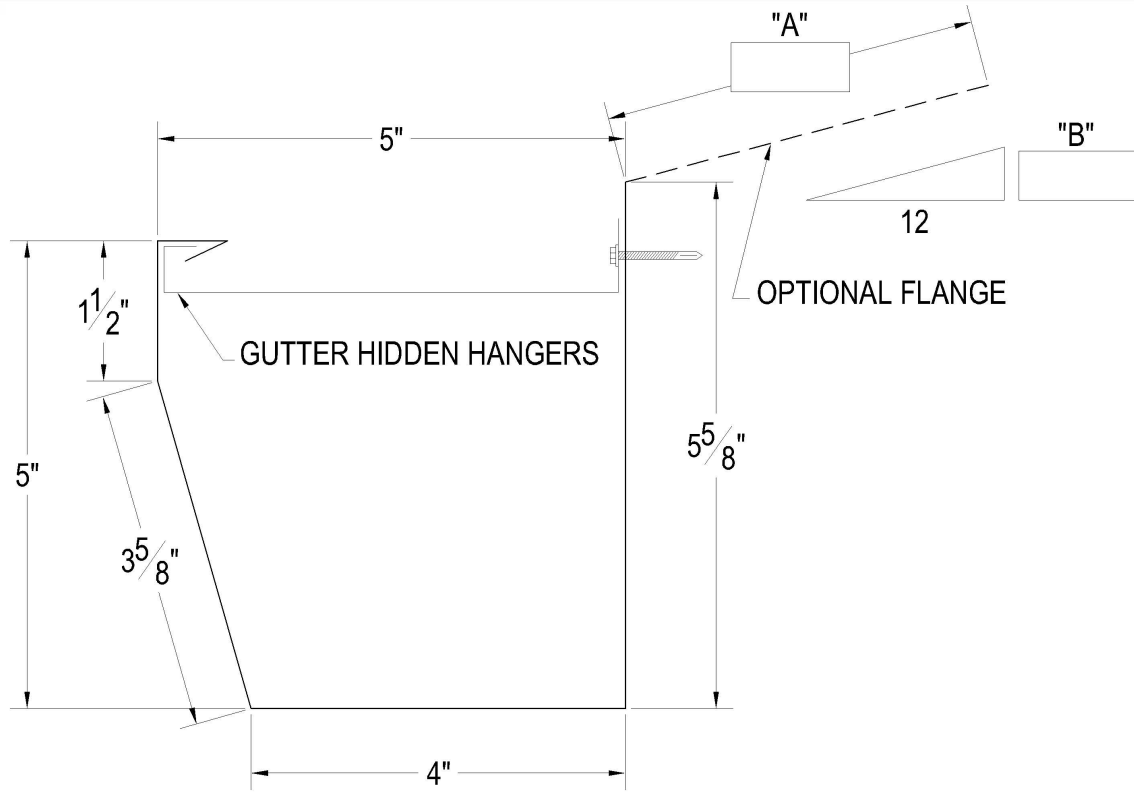


# TSM Standard 5" Box Gutter



- Gutter Bracket and Fasteners provided.
- Term Bar and fasteners NOT provided.

## QUANTITIES:

Lineal Feet (10'-0" Lengths\*): \_\_\_\_\_

Outside Miters\*\* : \_\_\_\_\_  Optional Welded (Surcharge Applies)

Inside Miters\*\* : \_\_\_\_\_  Optional Welded (Surcharge Applies)

Right End Caps\*\* : \_\_\_\_\_  Optional Welded (Surcharge Applies)

Left End Caps\*\* : \_\_\_\_\_  Optional Welded (Surcharge Applies)

\* Optional lengths available up to 20'-0"

\*\* Standard riveted

## PRINT APPROVAL:

Architect and/or Contractor shall verify all dimensions, sizes, and quantities, All products to be installed in strict accordance with Drexel's printed instructions.

Approved By: \_\_\_\_\_

Date: \_\_\_\_\_

PROJECT: \_\_\_\_\_

ARCHITECT: \_\_\_\_\_

ROOFING CONTRACTOR: \_\_\_\_\_

REPRESENTATIVE: \_\_\_\_\_

## MATERIAL:

24GA  .040" AL

Other: \_\_\_\_\_

Finish: \_\_\_\_\_

Color: \_\_\_\_\_

Effective Date: 8/8/17

Drawn By: B.Z.M.

Approved By: R.A.



41 North Lawn Ave / Elmsford, NY 10523

Ph. 914-347-8157

Fax 914-347-8191

web: [www.tsmny.com](http://www.tsmny.com)

email: [sales@tsmny.com](mailto:sales@tsmny.com)

*Our Shop is Your Shop!*