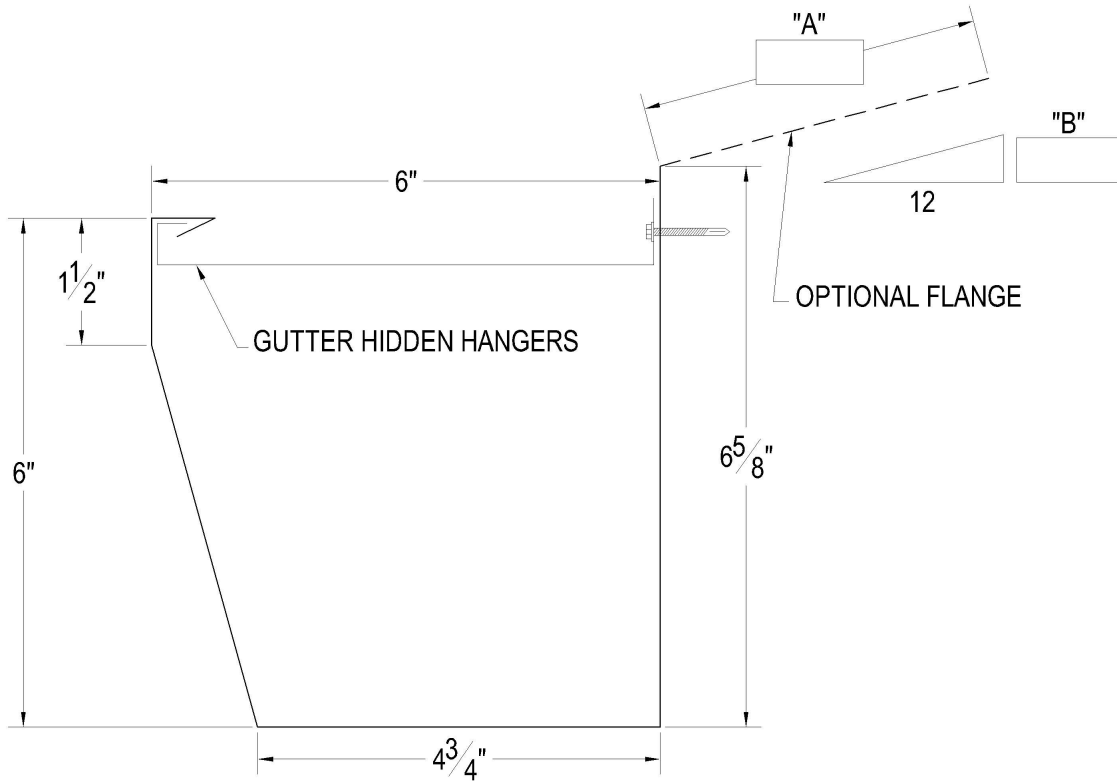


TSM Standard 6" Box Gutter



- Gutter Bracket and Fasteners provided.
- Term Bar and fasteners NOT provided.

QUANTITIES:

Lineal Feet (10'-0" Lengths*): _____

Outside Miters** : _____ Optional Welded (Surcharge Applies)

Inside Miters** : _____ Optional Welded (Surcharge Applies)

Right End Caps** : _____ Optional Welded (Surcharge Applies)

Left End Caps** : _____ Optional Welded (Surcharge Applies)

* Optional lengths available up to 20'-0"

** Standard riveted

PRINT APPROVAL:

Architect and/or Contractor shall verify all dimensions, sizes, and quantities, All products to be installed in strict accordance with Drexel's printed instructions.

Approved By: _____

Date: _____

PROJECT: _____

ARCHITECT: _____

ROOFING CONTRACTOR: _____

REPRESENTATIVE: _____



41 North Lawn Ave / Elmsford, NY 10523
 Ph. 914-347-8157
 Fax 914-347-8191
 web: www.tsmny.com
 email: sales@tsmny.com

Our Shop is Your Shop!

MATERIAL:

24GA .040" AL

Other: _____

Finish: _____

Color: _____

Effective Date: 8/8/17

Drawn By: B.Z.M.

Approved By: R.A.