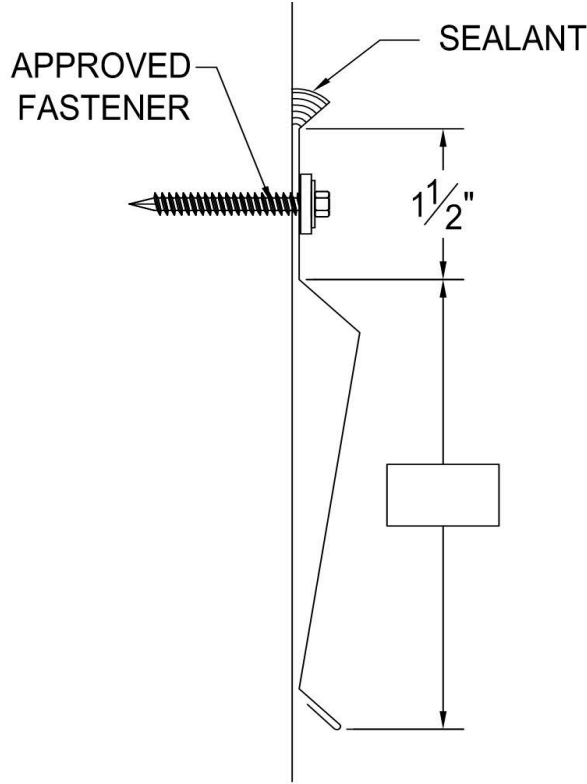


SURFACE MOUNTED COUNTERFLASHING



PRINT APPROVAL:

Architect and/or Contractor shall verify all dimensions, sizes, and quantities, All products to be installed in strict accordance with TSM's printed instructions.

Approved By: _____

Date: _____

QUANTITIES:

Lineal Feet (10'-0" Lengths): _____

Outside Miters** : _____ Optional Welded (Surcharge Applies)

Inside Miters** : _____ Optional Welded (Surcharge Applies)

Right End Caps** : _____ Optional Welded (Surcharge Applies)

Left End Caps** : _____ Optional Welded (Surcharge Applies)

Splice Plate Tape Sealant: Optional Sealant (Surcharge Applies)

** Standard riveted

PROJECT:

ARCHITECT:

ROOFING CONTRACTOR:

REPRESENTATIVE:

MATERIAL:

24GA .040" AL

Other: _____

Finish: _____

Color: _____

Effective Date: 5-1-13

Drawn By: J.S.

Approved By: B.P.



41 North Lawn Ave / Elmsford, NY 10523

Ph. 914-347-8157

Fax 914-347-8191

web: www.tsmny.com

email: sales@tsmny.com