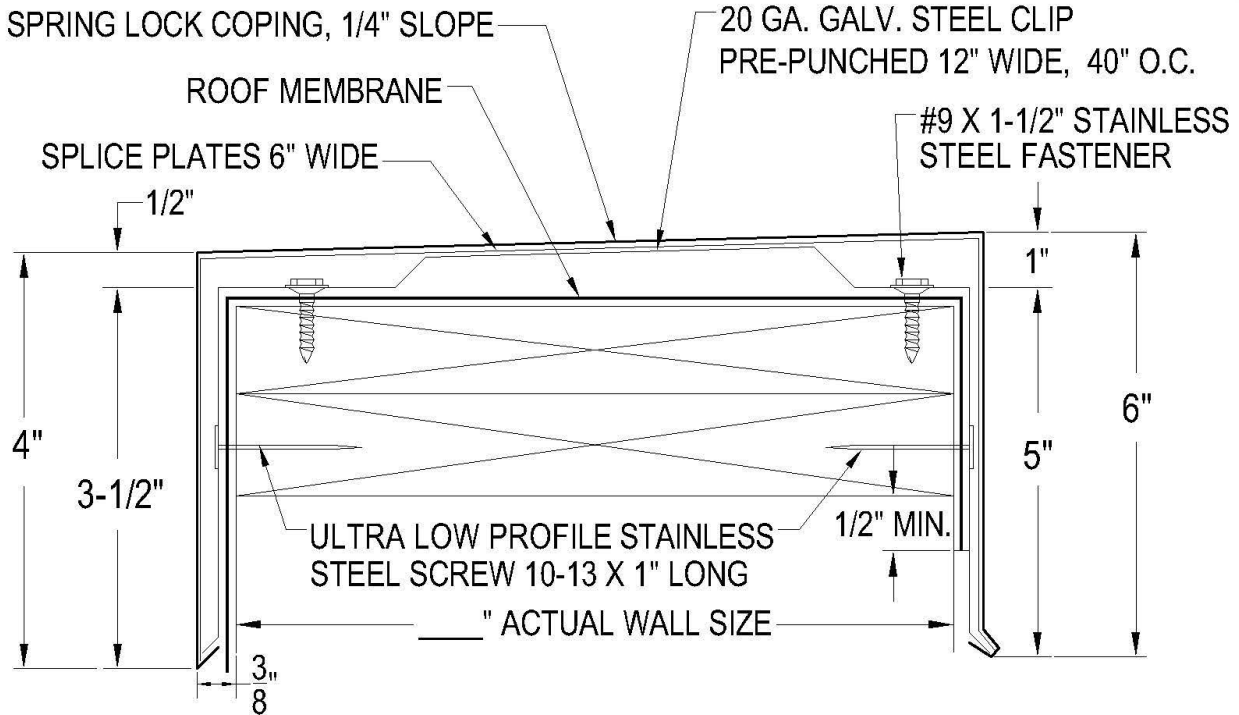


# HIDE-FAST SL



CLIP TO BE FABRICATED 3/8" LARGER THAN WALL SIZE FOR WALL VARIATION AND TO FACILITATE INSTALLATION

- Segmented Cleat and fasteners provided.
- Concealed Splice Plates provided.
- Splice Plate Sealant available for extra charge.

## PRINT APPROVAL:

Architect and/or Contractor shall verify all dimensions, sizes, and quantities, All products to be installed in strict accordance with TSM's printed instructions.

Approved By: \_\_\_\_\_

Date: \_\_\_\_\_

## QUANTITIES:

Lineal Feet (10'-0" Lengths): \_\_\_\_\_

Outside Miters\*\* : \_\_\_\_\_  Optional Welded (Surcharge Applies)

Inside Miters\*\* : \_\_\_\_\_  Optional Welded (Surcharge Applies)

Right End Caps\*\* : \_\_\_\_\_  Optional Welded (Surcharge Applies)

Left End Caps\*\* : \_\_\_\_\_  Optional Welded (Surcharge Applies)

Splice Plate Tape Sealant:  Optional Sealant (Surcharge Applies)

\*\* Standard riveted

PROJECT: \_\_\_\_\_

ARCHITECT: \_\_\_\_\_

ROOFING CONTRACTOR: \_\_\_\_\_

REPRESENTATIVE: \_\_\_\_\_



41 North Lawn Ave / Elmsford, NY 10523  
 Ph. 914-347-8157  
 Fax 914-347-8191  
 web: www.tsmny.com  
 email: [sales@tsmny.com](mailto:sales@tsmny.com)

## MATERIAL:

24GA  .040" AL

Other: \_\_\_\_\_

Finish: \_\_\_\_\_

Color: \_\_\_\_\_

Effective Date: 5-1-13

Drawn By: J.S.

Approved By: B.P.