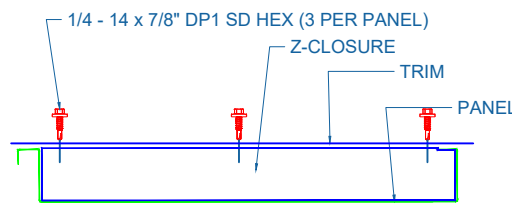
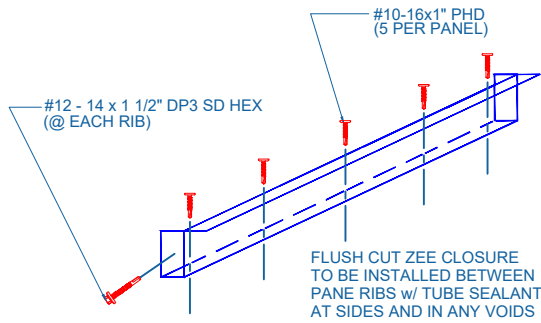
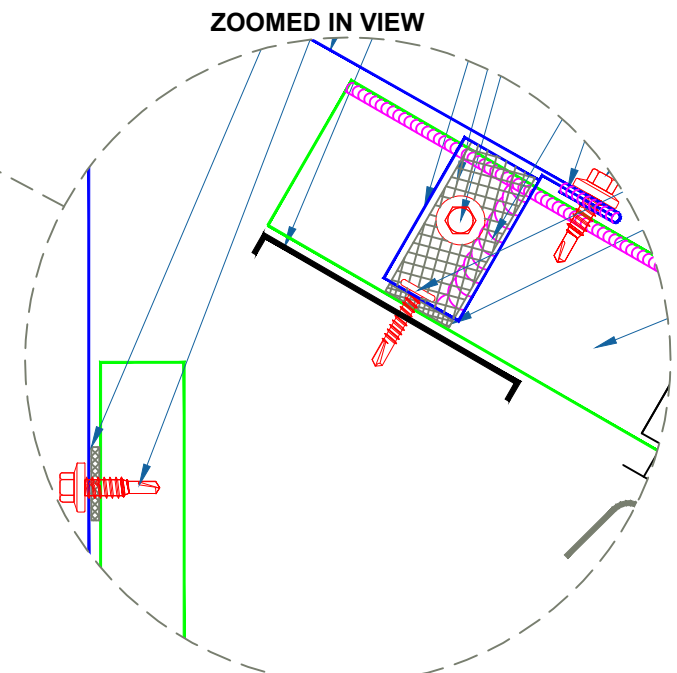
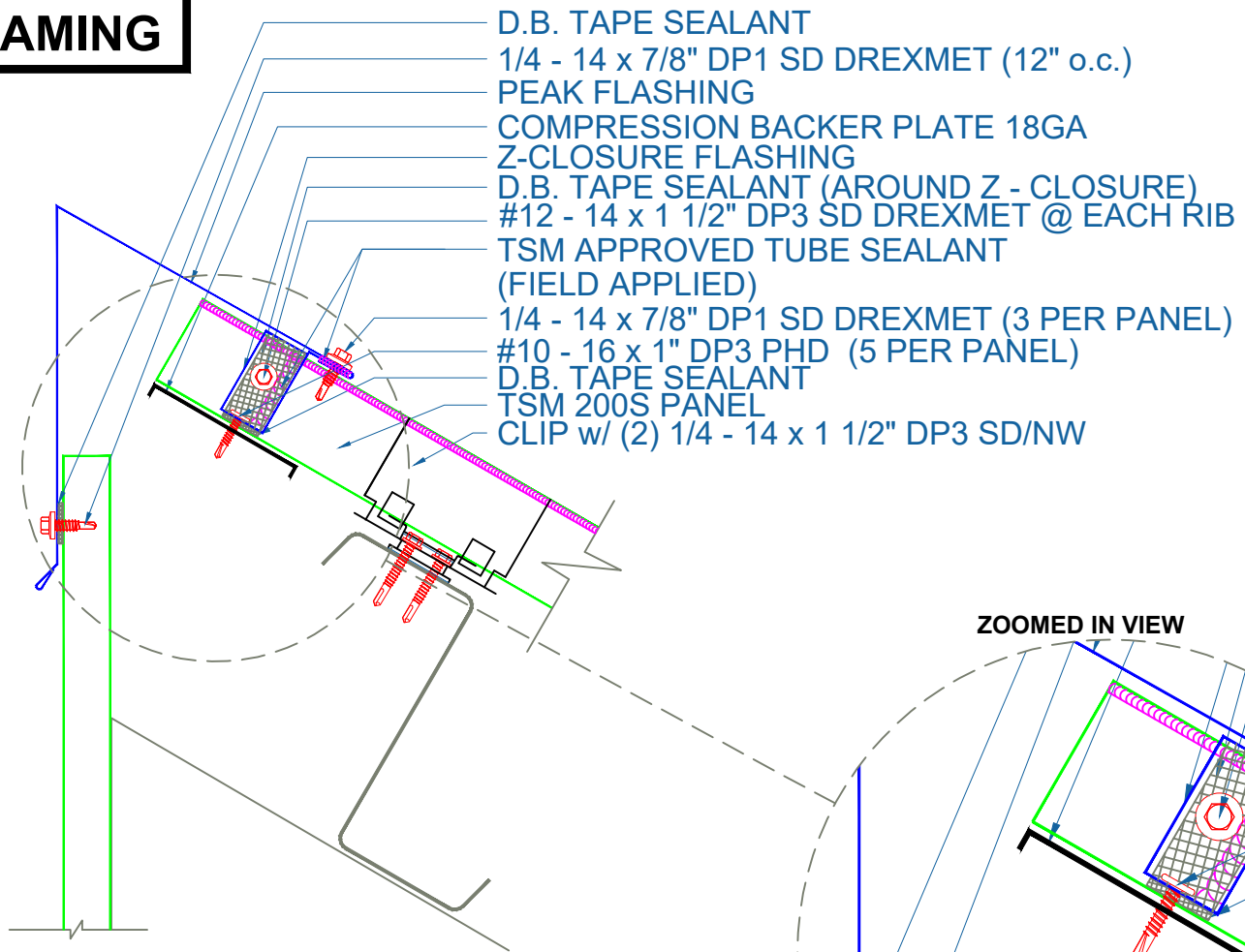


TSM 200S - OPEN FRAMING



EFFECTIVE DATE: 08-17-17
 SUBJECT TO CHANGE WITHOUT NOTICE

PEAK
 SCALE: 3" = 1'-0"

NTS
TSM
TRI-STATE
METALS

41 N. LAWN AVE
 ELMSFORD, NY 10523
 P: 914-347-8157