

DREXEL METALS INC.

This specification data sheet supplied by Drexel Metals Inc. as a point of reference for our Standing Seam Metal Roof Systems (SSMRS). Contact Drexel Metals at 888.321.9630 for more information or visit www.architectbinder.com or www.drexelmetals.com.

Section 07 41 13
METAL ROOF PANELS

1. PRODUCT NAME
DMC175S - 1.750" Snap Lock Metal Roof panels.

2. MANUFACTURER

Drexel Metals Inc.
1234 Gardiner Lane
Louisville, KY 40213
Toll Free: 888.321.9630
Phone: 502-716-7143
Fax: 877.321.9638
Web: www.drexelmetals.com
E-Mail: marketing@drexmet.com

3. PRODUCT DESCRIPTION

Since 1985, Drexel Metals has provided a full range of superior-quality engineered metal roofing systems, equipment and custom fabrication services for commercial, governmental, industrial, historical and architectural customers worldwide. Headquartered in Louisville, KY, the company operates several sales, fabrication and distribution locations, in addition to its extended family of Regional Manufacturers (DM-ARM) network of certified contractors and distributors who further market Drexel Metals proven-brand products, all fully backed and site-certified by Drexel Metals' industry-leading warranty programs.



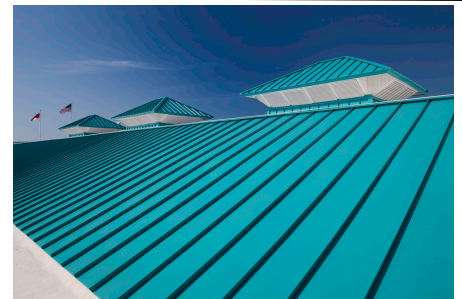
DMC 175

Manufacturer Memberships and Affiliations:

- MCA - Metal Construction Assoc.
- CSI - Construction Specifiers Institute
- AIA - American Institute of Architects
- NRCA - National Roofing Contractors Association
- FRSA - Florida Roofing and Sheet Metals Association.
- NERCA - New England Roofing Contractors Association
- USGBC - United States Green Build Council.
- Energy Star Partner
- US DOE EEB Hub Platform Member - Energy Efficient Buildings Hub.
- CMRC - Cool Metal Roof Council.
- UL Environmental
- ATI - Architectural Testing QA

4. TECHNICAL DATA

- ASTM A792-96 - Standard Specification for Steel Sheet, 50% or 55% Aluminum-Zinc Alloy Coated by a hot dipping process.
- ASTM B-209 - Standard Specification for Aluminum and Aluminum-Alloy Sheet and Plate



- ASTM D 2244 - Standard Practice for Calculation of Color Tolerance and Color Differences.
- ASTM D 968 - Abrasion Resistance
- ASTM E 1592 - Standard Test Method for Structural Performance by Uniform Static Air Pressure Differences.
- ASTM E 1646 - Standard Test Method for Water Penetration by Uniform Static Air Pressure Differences.
- ASTM E 1680 - Standard Test Method for Rate of Air Leakage through Exterior Metal Panel System.
- ASTM E 2140 - Standard Test Method for Water Penetration by Static Water Pressure Head.
- ASTM E 1886 - Standard Test Method for Performance of Exterior Windows, Curtain Walls, Doors, and Impact Protective Systems Impacted by Missile(s) and Exposed to Cyclic Pressure Differentials.

Approvals

- UL 263 - Fire Test of building Construction and Materials.
- UL 580 - Test for Uplift Resistance of Roof Assemblies.
- UL 1897 Extended Phase Wing Uplift.
- UL 790 - Standard Test Methods for Fire Test of Roof Coverings.
- UL 2280 - Impact Resistance of Prepared Roof Covering Materials.

Miami Dade County Approved:

- Notice of Acceptance (NOA)
 - 13-0328.05 exp. 6-26-18
 - 13-0328.03 exp. 6-26-18

Florida Product Approved:

- FBC # 12114
- FBC # 15690

Texas Department of Insurance Certified:

- RC-218
- RC-219
- RC-220
- RC-220

Physical Properties for DMC175S

Test Reports are available to design professionals and engineers. Drexel Metals also offer evaluation reports and site specific engineering if needed.

Technical Properties for DMC175S:

- **Panel Coverage:**
 - 12 inches (304.8mm)
 - 14 inches (355.6mm)
 - 16 inches (406.4mm)
 - 18 inches (457.2mm)
- **Rib Height:**
 - 1.750 inches (44.5mm)
- **Material:**
 - Galvalume® Aluminum-Zinc Coated Carbon Steel, ASTM A792, AZ50, Grade 50, Tension Levelled.
 - 24 Gauge
 - 22 Gauge
 - Drexelume® Aluminum-Zinc Coated Carbon Steel, ASTM A792, AZ55, Grade 50. Tension Levelled.
 - 24 Gauge
 - 22 Gauge
 - Pre-painted Galvalume® AZ50 with PVDF
 - 24 Gauge
 - 22 Gauge
 - Pre-painted Aluminum, 3003 H-14 and/or 3105 H24.
 - 0.032
 - 0.040
- **Minimum Slope Capability:** 2:12
- **Sealant:** In-Seam Sealant Available.
- **Clip Attachment:** Internal Concealed Clip designed for Thermal Movement.



East Lake High School - Tarpon Springs, FL - Architect: C.B. Goldsmith
Winner of 2013 of FRSA STAR Award for Roofing Excellence.

- **Side Lap:** Snap Together panel system.
 - Insulation Capacity: Blanket insulation ½ inches (12.7mm) to 4 inches (101.6mm) thickness.
- **Deck Attachment:** Applied over solid substrate or open framing.
- **Surface Finish:**
 - PVDF (Kynar500® or Hylar5000®) manufactured by Akzo Nobel (Trinar®)
 - Drexel Metals Standard and Premium Colors Available.
 - Custom Colors are available upon request.
- **Testing Requirements:**
 - UI580 Wind Uplift (Class 90).
 - TAS125 Wind Uplift.
 - UI1897 Extended Phase Wind Uplift.
 - UI2218 Hail Impact - CLASS 4.
 - UL 790 Class A Fire Rating.
 - UL Environmental - Solar Reflectance Index Third Party Verified.
 - ASTM E1646 Water Infiltration.
 - TAS100 Wind Driven Rain.
 - ASTM E1680 Air Infiltration.
 - ASTM E1886 Missile Impact.

5. INSTALLATION

Preparation

- Inspect the deck prior to installing the first panel. Our certified installers shall accept or deny the deck prior installing the underlayment and/or first panel to ensure the deck is plumb and level.

Underlayment Installation

- Install MetShield® high temp peel and stick and/or Metshield® synthetic underlayment prior to installing metal roof panels. Install flashing in compliance with Drexel Metals standard details for the specific deck assembly.

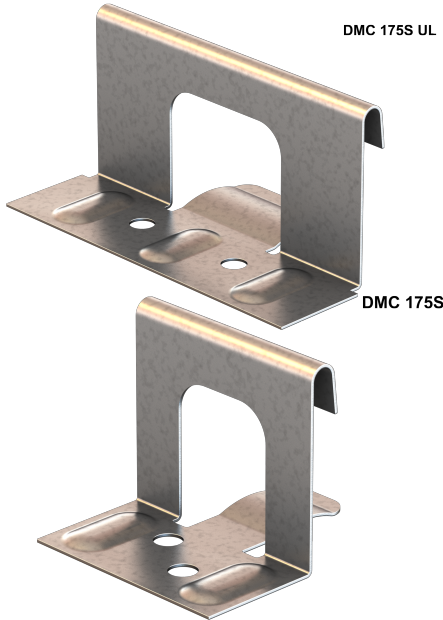
Thermal Insulation Installation

- Install Polyethylene (PE) vapor retarder if required. Install board ISO and/or blanket insulation in conjunction with Drexel Metals standard metal roofing details.

Metal Roof Panel Installation

- Once site conditions are acceptable for installation, install the DMC175S panel per Drexel Metals approved architectural details. Fasten metal roofing panels to supports or deck

- with DMC175S approved clips. Drexel Metals offers two clips; the DMC175S UL clip for UL engineered roof systems and the non-UL assemblies we offer a more economical clip known as the DMC175S Non UL.



Accessory Installation

- Install accessories using techniques recommended by Drexel Metals and which will assure proper attachment to the structure allowing for proper thermal expansion and contraction. All flashings and trim shall comply with Drexel Metals published drawings and SMACNA "Architectural Sheet Metal Manual". Provide concealed fasteners where possible. Install work with zero laps and seams that will be permanently watertight.

Site Specific Quality Control

- Drexel Metals makes our field technicians available at a cost for periodic site visits. These are required to participate in our watertight warranty program and to ensure our products are being

installed per our recommended installation details.

Care and Maintenance

- Use the Drexel Metals Add Dry Touch Up Pen to cover and protect scratches on the paint finish.



- Please refer to Drexel Metals Proper Care and Maintenance for proper cleaning and care for your Drexel Metals metal roof system.

Building Codes

- Current data on building code requirements and product compliance may be obtained from Drexel Metals Inc. Technical department. Installations must comply with the requirements of authority having jurisdiction.

6. AVAILABILITY AND COST Metal Roofing On-Demand(™)

- Drexel Metals products are nationally distributed and supported from our manufacturing locations or by one of our DM-ARM Member Approved Fabricators or by a Drexel Metals Certified Installer.

Cost

Budget Installed cost information may be obtained form a local Drexel Metals Representative, Authorized Fabricator or Certified Installer.

7. WARRANTIES

• Paint Warranties:

- 35 Year Gold Standard Paint Full System Finish Paint Warranty.
- 35 Year Standard Paint Warranty.
- 35 Year Standard Pant Warranty and 25 year aluminum substrate warranty.

• Drexlume®

- 25 Year Non Pro-rated Warranty.

• Weathertight Warranties

- Type 1 - Side Lap Warranty
- Type 2 - Standard WTW Warranty.
- Type 3 - Non Dollar Limit Warranty.
- Type 4 - Single Source Non Dollar Limit.

8. MAINTENANCE

- Your owner should be aware that a Drexel Metals metal roof system should be inspected like any other roof system. Periodic roof inspection to verify system integrity, drainage functionality and to inspect any cut edge areas should be performed annually.

9. TECHNICAL SERVICES

- Drexel Metals has a Technical Team that will assist designers and to act as a resource. Technical assistance , including more detailed information, product literature, testing reports, project lists, certified installer lists and specification support is available by contacting Drexel Metals.

10.FILING SYSTEMS

- Additional product information is available through the following channels:
 - McGraw-Hill Sweets.
 - ARCAT
 - Drexel Metals ToolBox App
 - Drexel Metals Website

